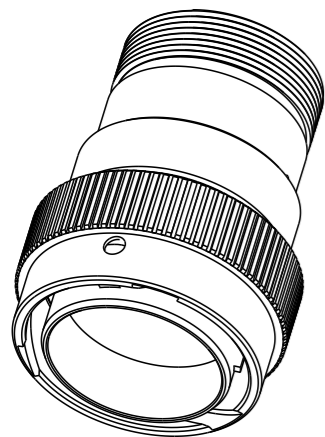
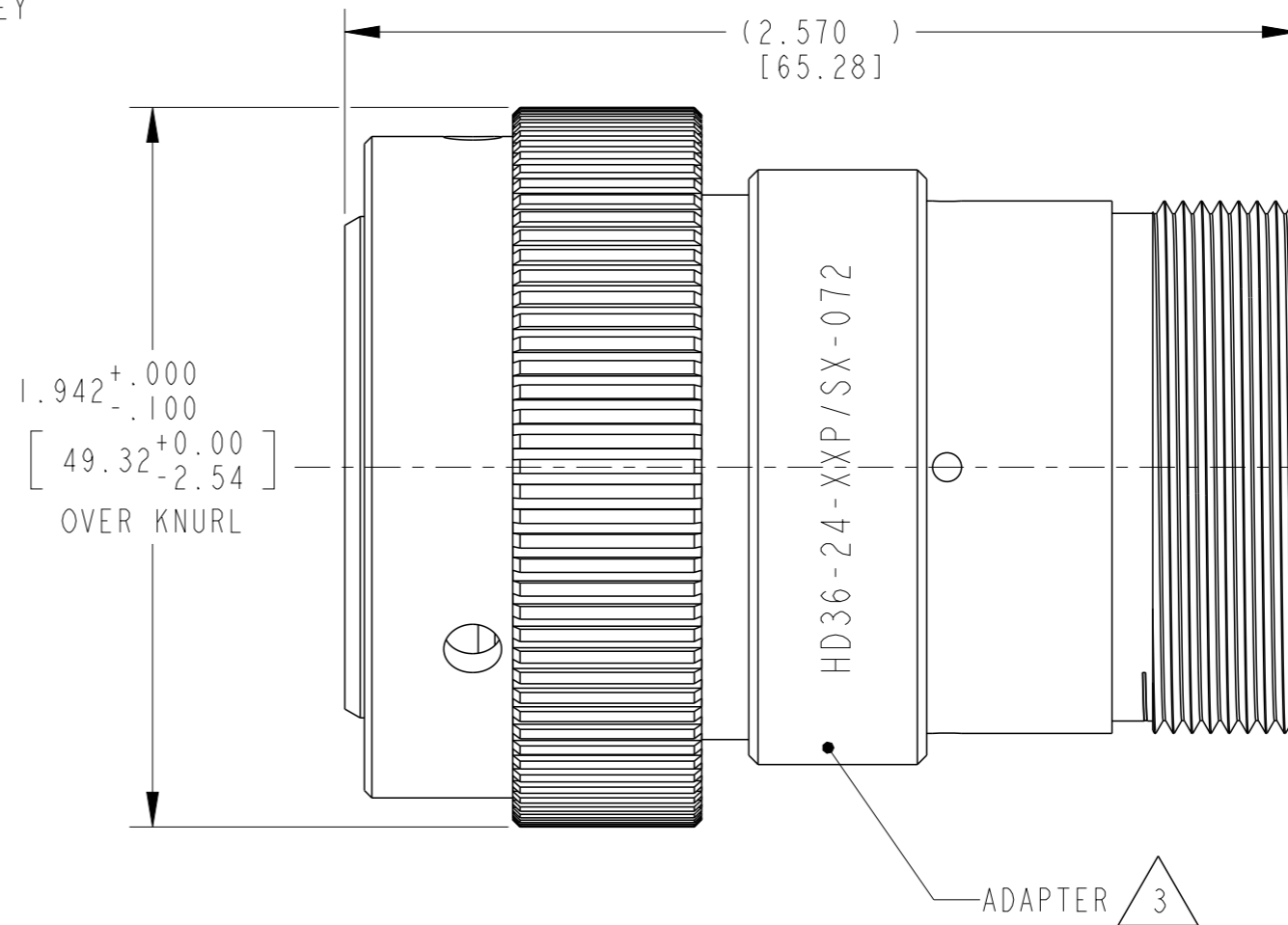
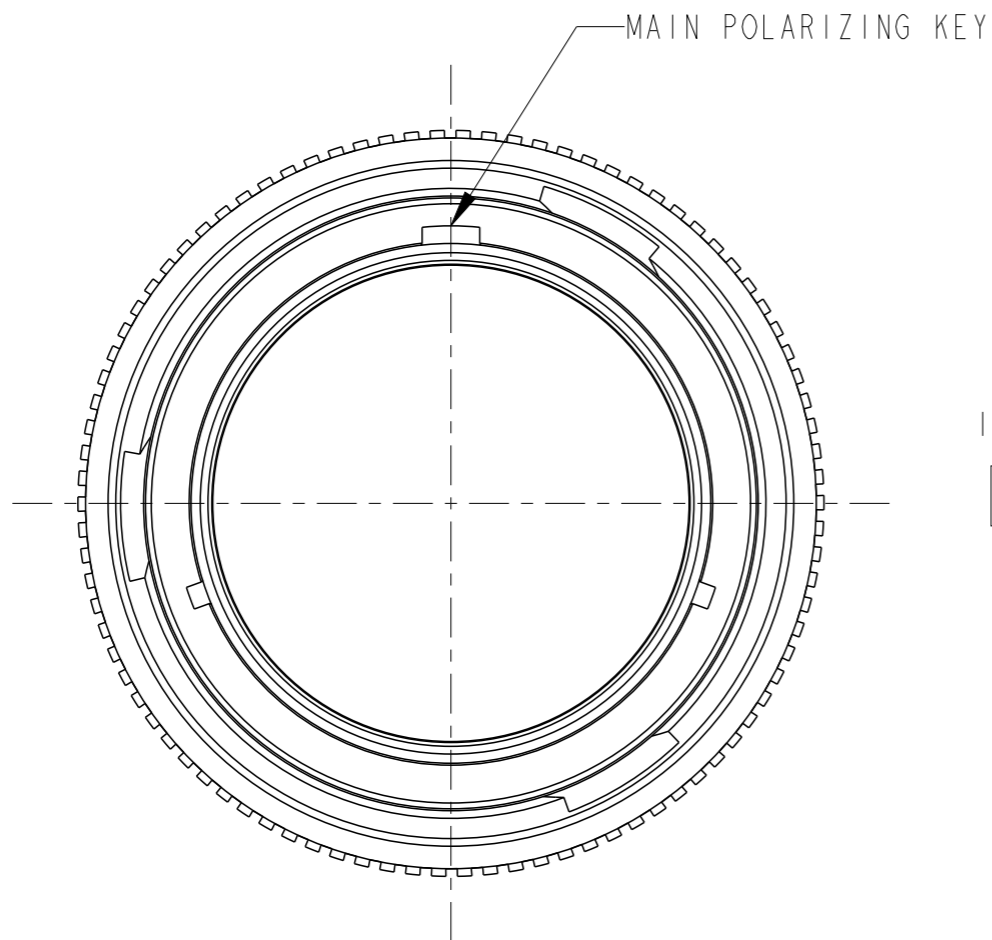


THIS DRAWING IS UNPUBLISHED. RELEASED FOR PUBLICATION 2015
 © COPYRIGHT 2015 BY TE CONNECTIVITY ALL RIGHTS RESERVED.

LOC	DIST	REVISIONS			
P	LTR	DESCRIPTION	DATE	DWN	APVD
-	-	NC	NEW RELEASE PER E.O. P19972	14AUG2008	- RDR
		A	REVISED PER E.O. P21009	19JUL2011	- RDR
		A1	REVISED PER ECO-15-001798	19MAR2015	PV DM



3D VIEW



3. MATERIAL:
 PLUG HOUSING: AL 6000 SERIES
 ADAPTER: AL 6000 SERIES

2. THE CONNECTOR MATES WITH HD34-24-XXS/PX-XXXX
 X = SEAL DESIGNATION, XX = NUMBER OF CAVITIES,
 XXXX = MODIFICATION DESIGNATION.

1. FOR ARRANGEMENT OF CONTACT LOCATION SEE DRAWING 0425-014-2400.

NOTES:

THIS DRAWING IS A CONTROLLED DOCUMENT.		DWN I. GRANTCHAROVA 30 JUL 2008		
DIMENSIONS: INCHES [mm]		CHK B. BAYFORD 14 AUG 2008		
TOLERANCES UNLESS OTHERWISE SPECIFIED:		APVD S. BEARD 12 AUG 2008	NAME PLUG CONNECTOR, SHELL SIZE 24 BAYONET COUPLING, MOD -072 HD30 SERIES	
		PRODUCT SPEC 0425-016-0000	SIZE A3	RESTRICTED TO -
		APPLICATION SPEC 0425-015-0000	CAGE CODE -	DRAWING NO HD36-24-XXP/SX-072
MATERIAL SEE NOTE		WEIGHT -	SCALE :	SHEET OF
FINISH -		Customer Drawing	REV A1	